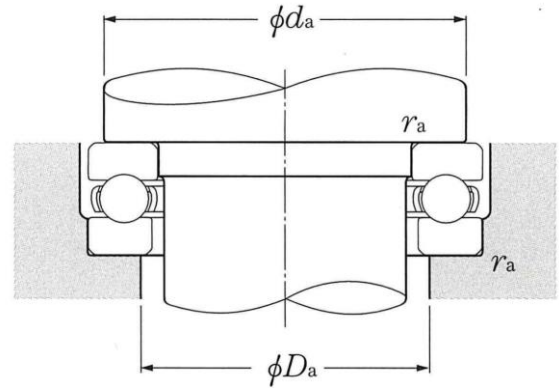
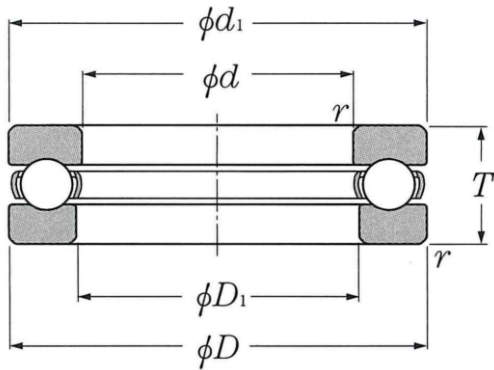


# SINGLE DIRECTION THRUST BALL BEARINGS **MRK**

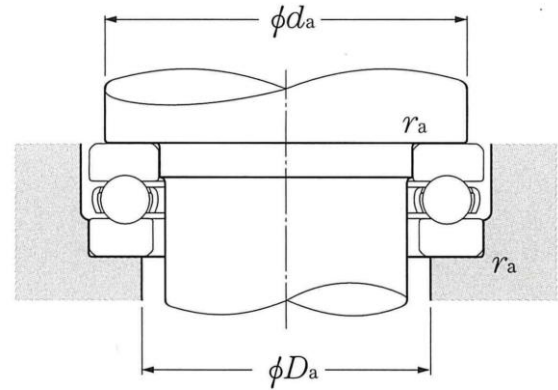
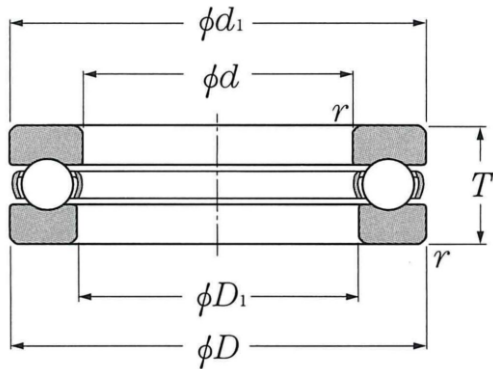
## Series 51100



呼び番号 Bearing No.	主要寸法 Boundary dimensions (mm)				寸法 Dimensions (mm)		基本定格荷重 Basic load rating (kN)		質量 Weight (kg)	取付関係寸法 Abutment and fillet dimensions (mm)		
	$d$	$D$	$T$	$r$ (min)	$d_1$ (max)	$D_1$ (min)	$C_a$	$C_{oa}$		$d_a$ (min)	$D_a$ (max)	$r_a$ (max)
51100	10	24	9	0.3	24	11	10.0	14.0	0.021	18	16	0.3
51101	12	26	9	0.3	26	13	10.3	15.4	0.023	20	18	0.3
51102	15	28	9	0.3	28	16	10.5	16.8	0.024	23	20	0.3
51103	17	30	9	0.3	30	18	10.8	18.2	0.026	25	22	0.3
51104	20	35	10	0.3	35	21	14.2	24.7	0.04	29	26	0.3
51105	25	42	11	0.6	42	26	19.6	37.0	0.06	35	32	0.6
51106	30	47	11	0.6	47	32	20.4	42.0	0.069	40	37	0.6
51107	35	52	12	0.6	52	37	20.4	44.5	0.085	45	42	0.6
51108	40	60	13	0.6	60	42	26.9	63.0	0.125	52	28	0.6
51109	45	65	14	0.6	65	47	27.9	69.0	0.148	57	53	0.6
51110	50	70	14	0.6	70	52	28.8	75.5	0.161	62	58	0.6
51111	55	78	16	0.6	78	57	35.0	93.0	0.226	69	64	0.6
51112	60	85	17	1	85	62	41.5	113	0.296	75	70	1
51113	65	90	18	1	90	67	41.5	117	0.338	80	75	1
51114	70	95	18	1	95	72	43.0	127	0.356	85	80	1
51115	75	100	19	1	100	77	44.5	136	0.399	90	85	1

# SINGLE DIRECTION THRUST BALL BEARINGS **MRK**

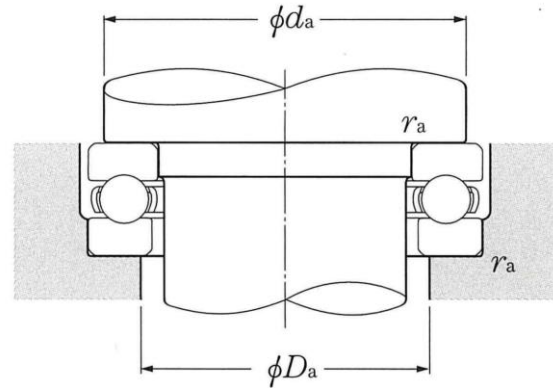
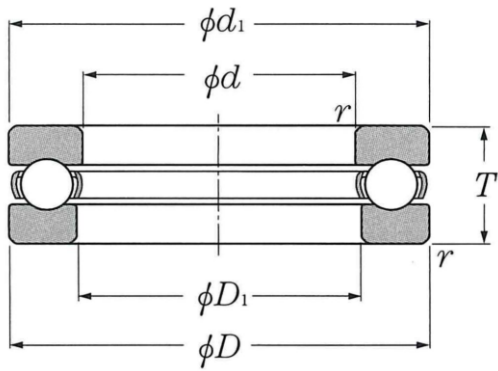
## Series 51200



呼び番号 Bearing No.	主要寸法 Boundary dimensions (mm)				寸法 Dimensions (mm)		基本定格荷重 Basic load rating (kN)		質量 Weight (kg)	取付関係寸法 Abutment and fillet dimensions (mm)		
	$d$	$D$	$T$	$r$ (min)	$d_1$ (max)	$D_1$ (min)	$C_a$	$C_{oa}$		$d_a$ (min)	$D_a$ (max)	$r_a$ (max)
51200	10	26	11	0.6	26	12	12.7	17.1	0.03	20	16	0.6
51201	12	28	11	0.6	28	14	13.2	19.0	0.034	22	18	0.6
51202	15	32	12	0.6	32	17	16.6	24.8	0.046	25	22	0.6
51203	17	35	12	0.6	35	19	17.2	27.3	0.054	28	24	0.6
51204	20	40	14	0.6	40	22	22.3	37.5	0.081	32	28	0.6
51205	25	47	15	0.6	47	27	27.8	50.5	0.111	38	34	0.6
51206	30	52	16	0.6	52	32	29.3	58.0	0.139	43	39	0.6
51207	35	62	18	1	62	37	39.0	78.0	0.215	51	46	1
51208	40	68	19	1	68	42	47.0	98.5	0.276	57	51	1
51209	45	73	20	1	73	47	48.0	105	0.317	62	56	1
51210	50	78	22	1	78	52	48.5	111	0.378	67	61	1
51211	55	90	25	1	90	57	69.5	159	0.608	76	69	1
51212	60	95	26	1	95	62	73.5	179	0.676	81	74	1

# SINGLE DIRECTION THRUST BALL BEARINGS

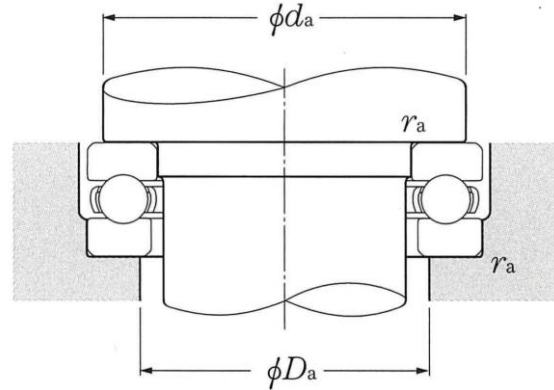
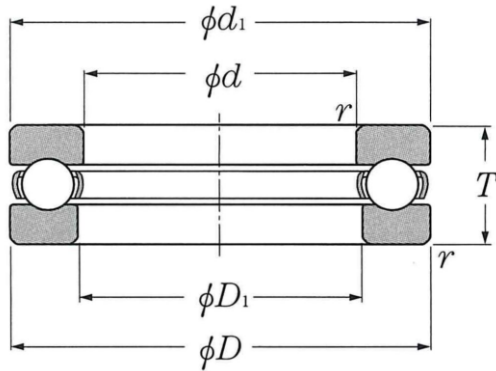
## Series 2900



呼び番号 Bearing No.	主要寸法 Boundary dimensions (mm)				寸法 Dimensions (mm)		基本定格荷重 Basic load rating (kN)		質量 Weight (kg)	取付関係寸法 Abutment and fillet dimensions (mm)		
	$d$	$D$	$T$	$r$ (min)	$d_1$ (max)	$D_1$ (min)	$C_a$	$C_{oa}$		$d_a$ (min)	$D_a$ (max)	$r_a$ (max)
2900	10	26	12	0.6	26	10.2	12.7	17.1	0.035	19.6	16.4	0.6
2901	12	28	12	0.6	28	12.2	13.2	19.0	0.037	21.6	18.4	0.6
2902	15	31	12	0.6	31	15.2	14.3	22.8	0.041	25	21	0.6
2903	18	35	12	0.6	35	18.2	14.4	24.7	0.045	28	25	0.6
2904	20	37	12	0.6	37	20.2	14.8	26.6	0.055	30	27	0.6
2904 1/2	22	42	14	0.6	42	22.2	18.9	34.5	0.085	34	30	0.6
2905	25	45	14	0.6	45	25.2	19.3	37.0	0.093	37	33	0.6
2906	30	50	14	0.6	50	30.2	20.2	42.0	0.107	42	38	0.6
2907	35	55	16	0.6	55	35.2	29.9	62.0	0.137	47	43	0.6
2908	40	60	16	0.6	60	40.2	31.0	70.0	0.150	52	48	0.6

# SINGLE DIRECTION THRUST BALL BEARINGS

## Series O



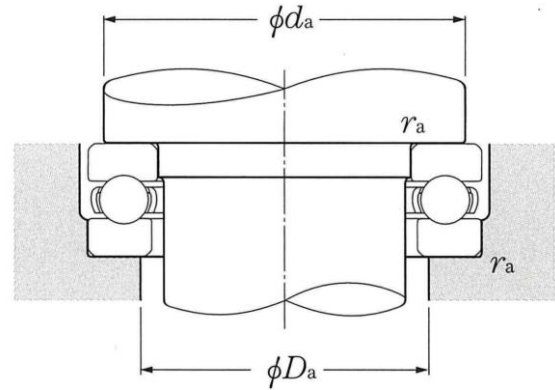
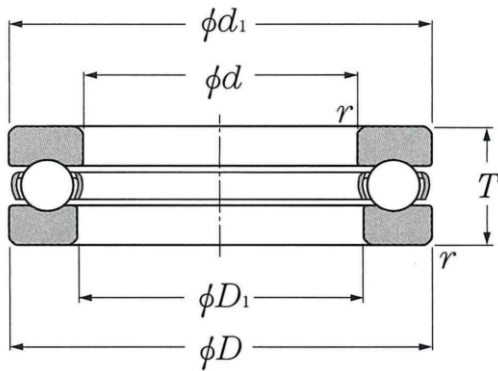
呼び番号 Bearing No.	主要寸法 Boundary dimensions (mm)				寸法 Dimensions (mm)		基本定格荷重 Basic load rating (kN)		質量 Weight (kg)	取付関係寸法 Abutment and fillet dimensions (mm)		
	$d$	$D$	$T$	$r$ (min)	$d_1$ (max)	$D_1$ (min)	$C_a$	$C_{oa}$		$d_a$ (min)	$D_a$ (max)	$r_a$ (max)
O-4	12.700	32.544	15.875	0.8	31.750	13.097	18.6	25.1	0.077	24.6	20.6	0.8
O-5	15.875	35.719	15.875	0.8	34.925	16.272	19.4	28.3	0.086	27.8	23.8	0.8
O-6	19.050	38.894	15.875	0.8	38.100	19.447	21.4	34.5	0.095	29	26	0.8
O-7	22.225	42.069	15.875	0.8	41.275	22.622	21.9	37.5	0.100	34	30	0.8
O-8	25.400	45.244	15.875	1.6	44.450	25.797	22.5	41.0	0.110	37	33	1.6
O-9	28.575	48.419	15.875	1.6	47.625	28.972	24.1	47.0	0.128	40	37	1.6
O-10	31.750	53.181	18.256	1.6	52.388	32.147	27.9	54.5	0.164	45	40	1.6
O-11	34.925	56.356	18.256	1.6	55.562	35.322	28.6	58.0	0.186	48	43	1.6
O-12	38.100	59.531	18.256	1.6	58.738	38.497	30.5	66.0	0.200	51	47	1.6
O-13	41.275	62.706	18.256	1.6	61.912	41.672	26.7	63.0	0.210	54	50	1.6
O-14	44.450	68.262	19.050	1.6	67.469	44.847	32.5	77.5	0.260	59	54	1.6
O-15	47.625	71.438	19.050	1.6	70.644	48.847	37.5	89.0	0.285	62	57	1.6
O-16	50.800	75.406	19.050	2.4	74.613	51.594	38.0	94.0	0.300	66	61	2.4
O-17	53.975	81.756	22.225	2.4	80.962	54.769	49.5	118	0.405	71	65	2.4
O-18	57.150	84.931	22.225	2.4	84.138	57.944	50.5	125	0.450	74	68	2.4

# STAINLESS



## SINGLE DIRECTION THRUST BALL BEARINGS

### Series SS51100



呼び番号 Bearing No.	主要寸法 Boundary dimensions (mm)				寸法 Dimensions (mm)		基本定格荷重 Basic load rating (kN)		質量 Weight (kg)	取付関係寸法 Abutment and fillet dimensions (mm)		
	$d$	$D$	$T$	$r$ (min)	$d_1$ (max)	$D_1$ (min)	$C_a$	$C_{oa}$		$d_a$ (min)	$D_a$ (max)	$r_a$ (max)
SS51100	10	24	9	0.3	24	11	5.0	7.0	0.023	18	16	0.3
SS51101	12	26	9	0.3	26	13	5.1	7.7	0.025	20	18	0.3
SS51102	15	28	9	0.3	28	16	5.2	8.3	0.026	23	20	0.3
SS51103	17	30	9	0.3	30	18	5.4	9.0	0.028	25	22	0.3
SS51104	20	35	10	0.3	35	21	7.1	12.3	0.042	29	26	0.3
SS51105	25	42	11	0.6	42	26	9.7	18.6	0.062	35	32	0.6
SS51106	30	47	11	0.6	47	32	10.2	21.0	0.071	40	37	0.6